

---

**D**

使  
用  
说  
明  
书



E

---

	.....	1
	.....	1
.	.....	1
	.....	2
<b>0</b>	.....	2
<b>0</b>	.....	2
<b>0</b>	.....	3
<b>0.</b>	.....	3
<b>0</b>	.....	3
<b>1</b>	.....	3
<b>2</b>	.....	4
<b>3</b>	.....	6
<b>3</b>	.....	6
<b>3</b>	.....	7
<b>3.</b>	.....	8
<b>3</b>	.....	9
<b>3 0</b>	.....	10
<b>3 1</b>	.....	11
<b>3 2</b>	.....	12
<b>3 3</b>	<b>3 3</b> .....	13
<b>3 4</b>	.....	14
<b>4</b>	.....	15
<b>4</b>	.....	15
<b>4</b>	.....	15
<b>4.</b>	.....	15
<b>4</b>	.....	16

IND

IND

▪

3N 380V 10%

50Hz

20-40 kHz

1x12kW/16kW

2x12kW/16kW

12kW/16kW

16kW/20kW/24kW

4x2.5kw/3.5kW

-- 2x5kW/8kW

-- 12kW/16kW

-- 2x12kW/16kW

24kW/30kW

10kW

2x10kW

21kW /200L    21kW /300L

	-40	+50	+5	+40
•	10	90	30	90

YZW

10kW-20k    6mm<sup>2</sup>

24kW-30k    10mm<sup>2</sup>

50-600 kPa

40

100mm

0

0.

III

3mm

30mA

0

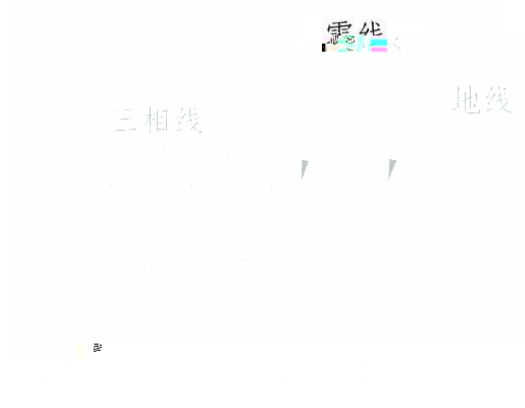
1

L1 L2 L3 N PE

PE

N L1 L2 L3

L1 L2 L3 N PE

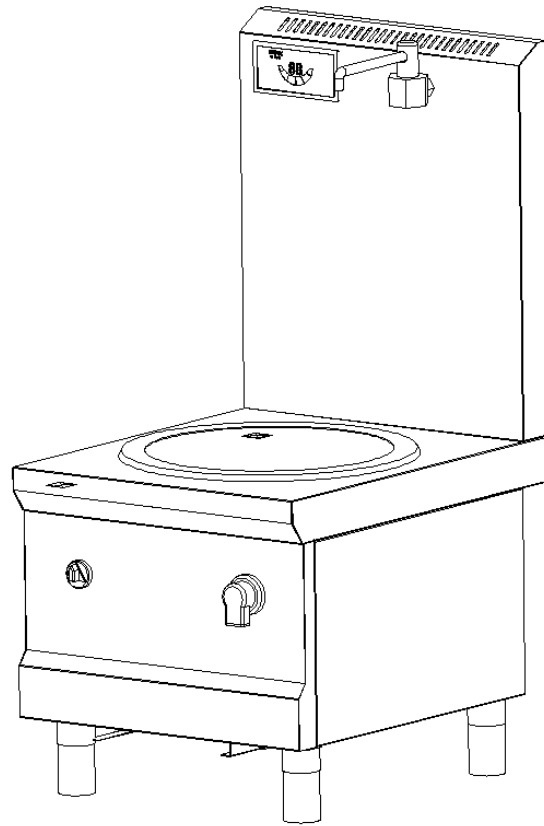




		40 /110

3

3



3N 380V 10%

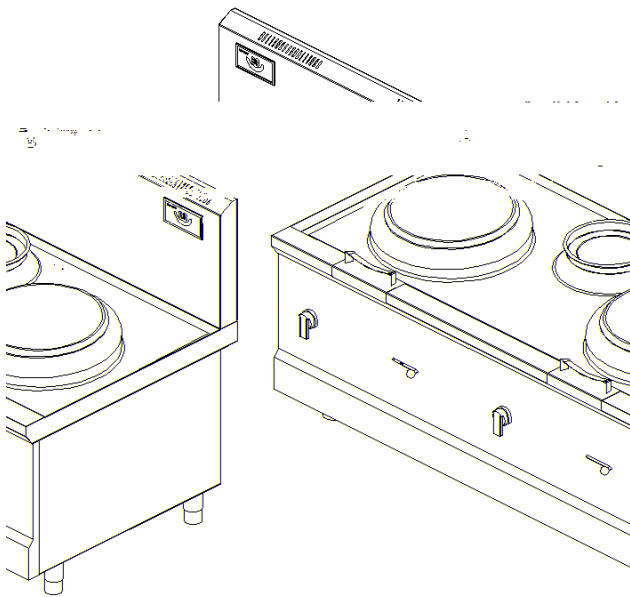
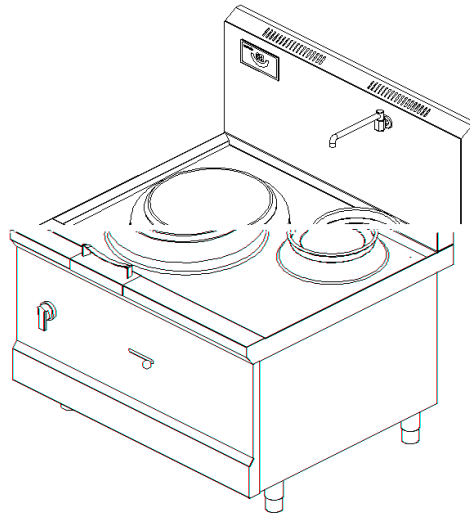
0

0

6



3



3N 380V 10%

0

0

**3 .**

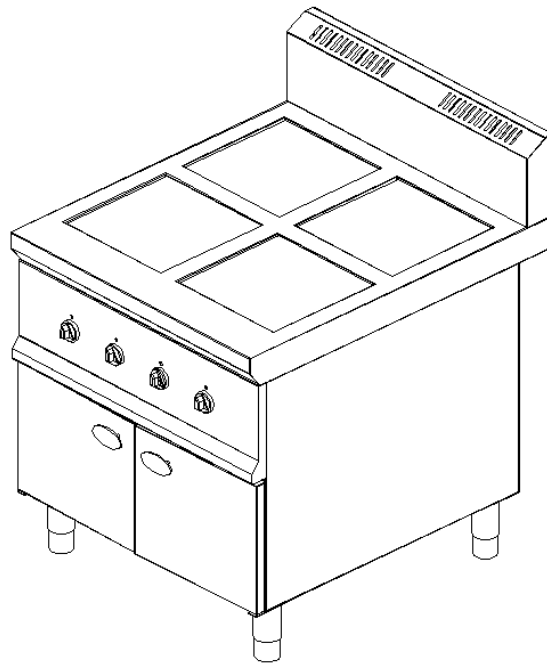
3N 380V 10%

1 4

5

0

**3**



3N 380V 10%

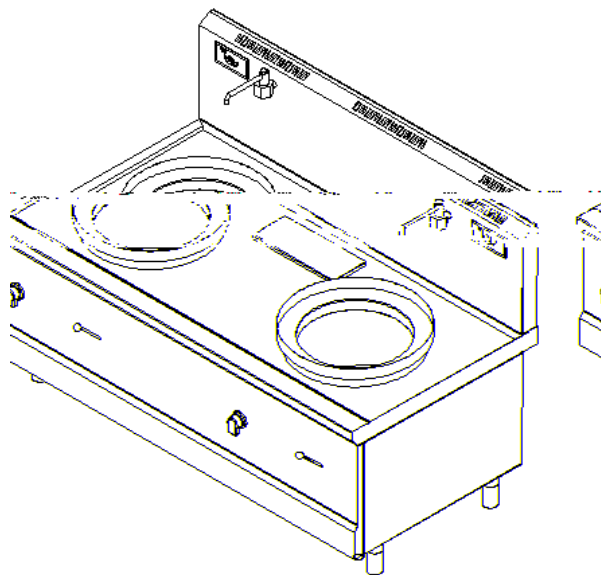
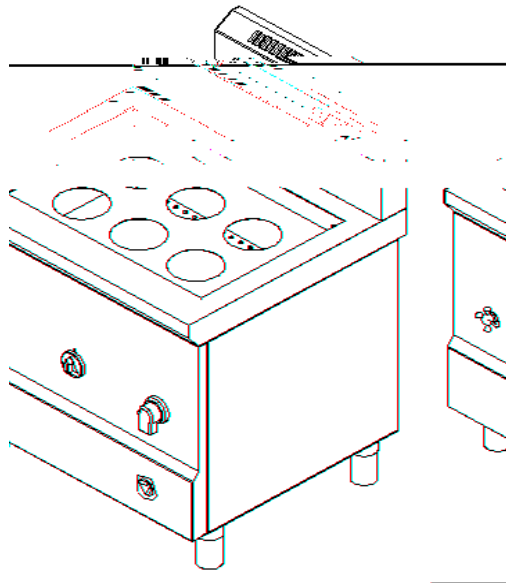


0

0



31



3N 380V 10%

0

0

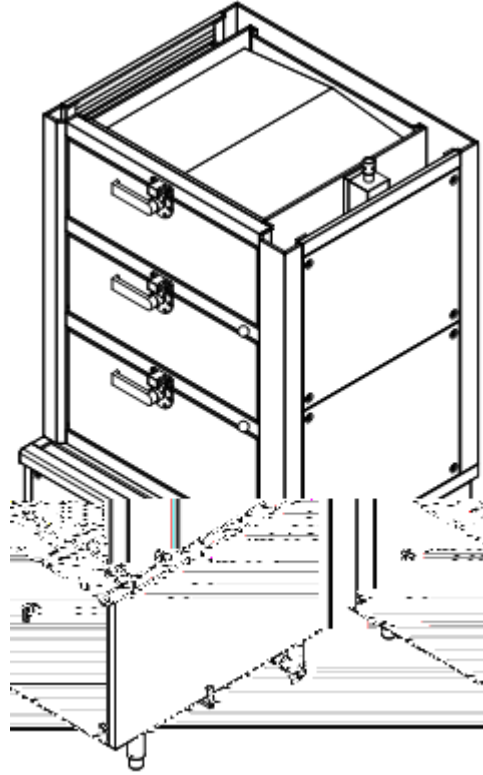


**3 2**



A

900 x 810 x 1875



B

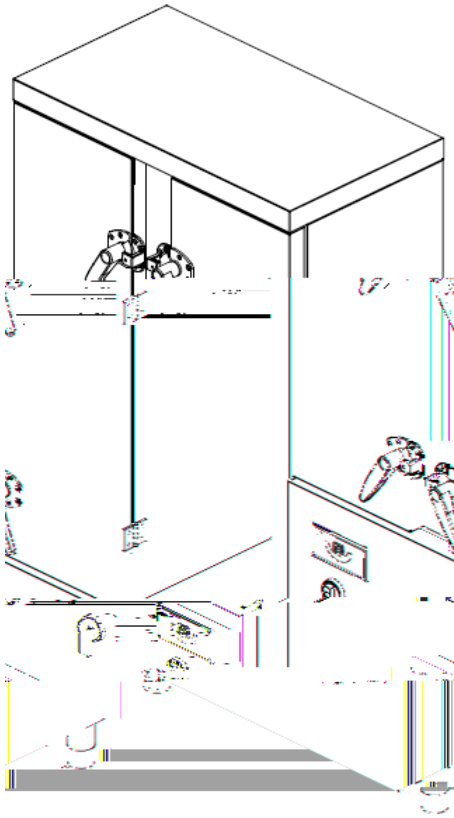
1000 x 900 x 1875

3N 380V 10%

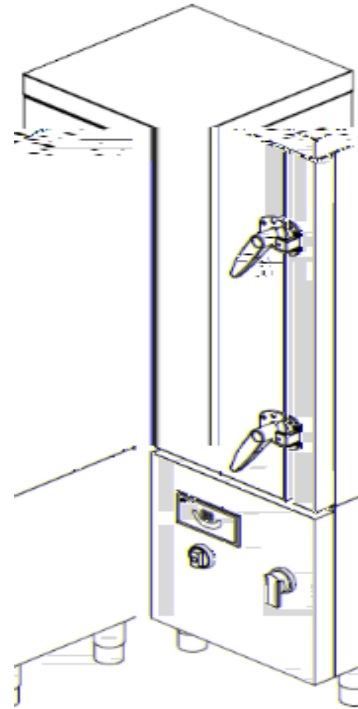
0



**3 3**



1000x780x1910 24



680x580x1850 (12 )

680x580x1685 (10 )

0

0

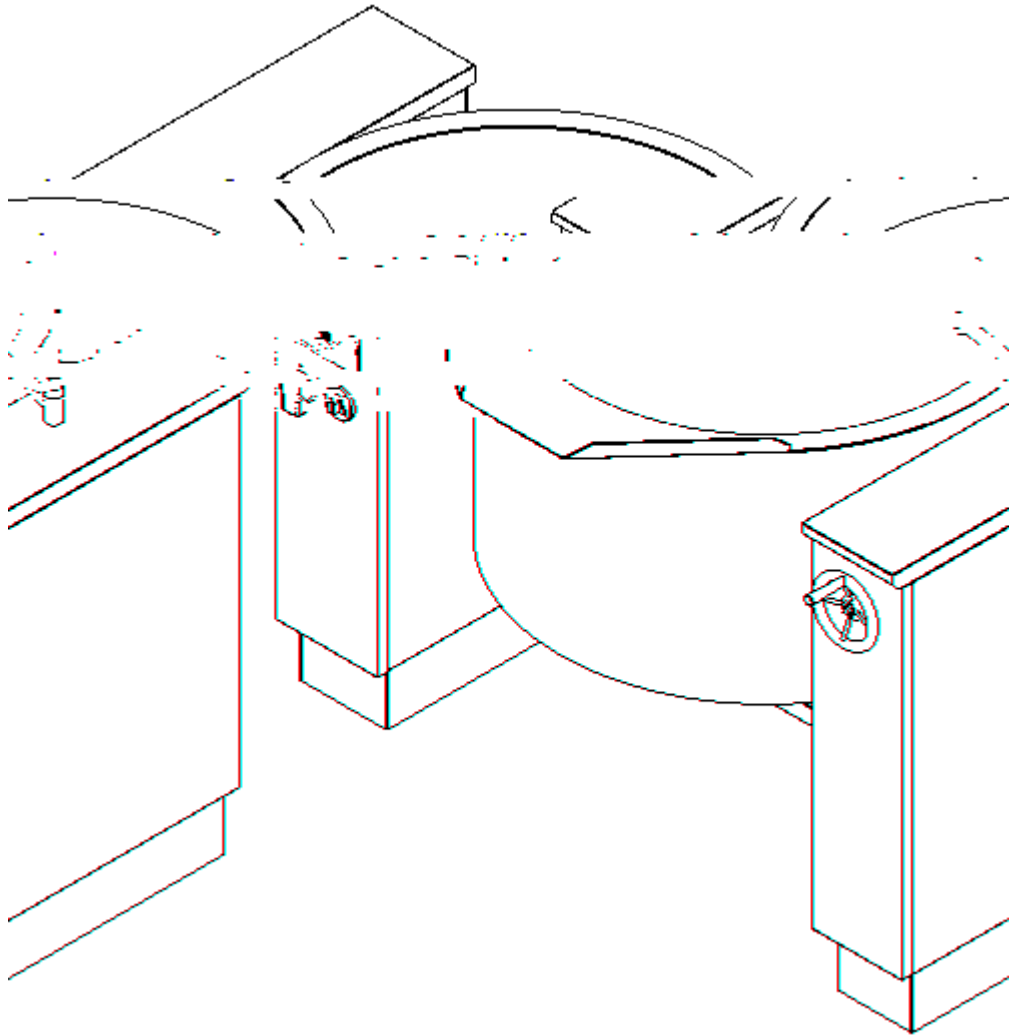
M0

M1

0



34



3N 380V 10%

0

0







3 5

3

**4**

**4 0**





IND \_\_\_\_\_  
\_\_\_\_\_  
\_\_\_\_\_  
\_\_\_\_\_  
\_\_\_\_\_  
\_\_\_\_\_  
\_\_\_\_\_  
\_\_\_\_\_

\_\_\_\_\_  
\_\_\_\_\_  
\_\_\_\_\_  
\_\_\_\_\_  
\_\_\_\_\_  
\_\_\_\_\_  
\_\_\_\_\_  
\_\_\_\_\_  
\_\_\_\_\_  
\_\_\_\_\_  
\_\_\_\_\_  
\_\_\_\_\_  
\_\_\_\_\_  
\_\_\_\_\_  
\_\_\_\_\_

1

400 888 7577  
0532 86672003  
266100



E

---

**400-888-7577**

**0086-532-86672003**

**1**

**266100**